

Hand Controls

**Left Foot  
Accelerators**

Steering Aids

Pedal Guards &  
Hinged Pedals

Easy Release  
Adaptations

# Introducing the **TWIN FOLDING LEFT FOOT ACCELERATOR**



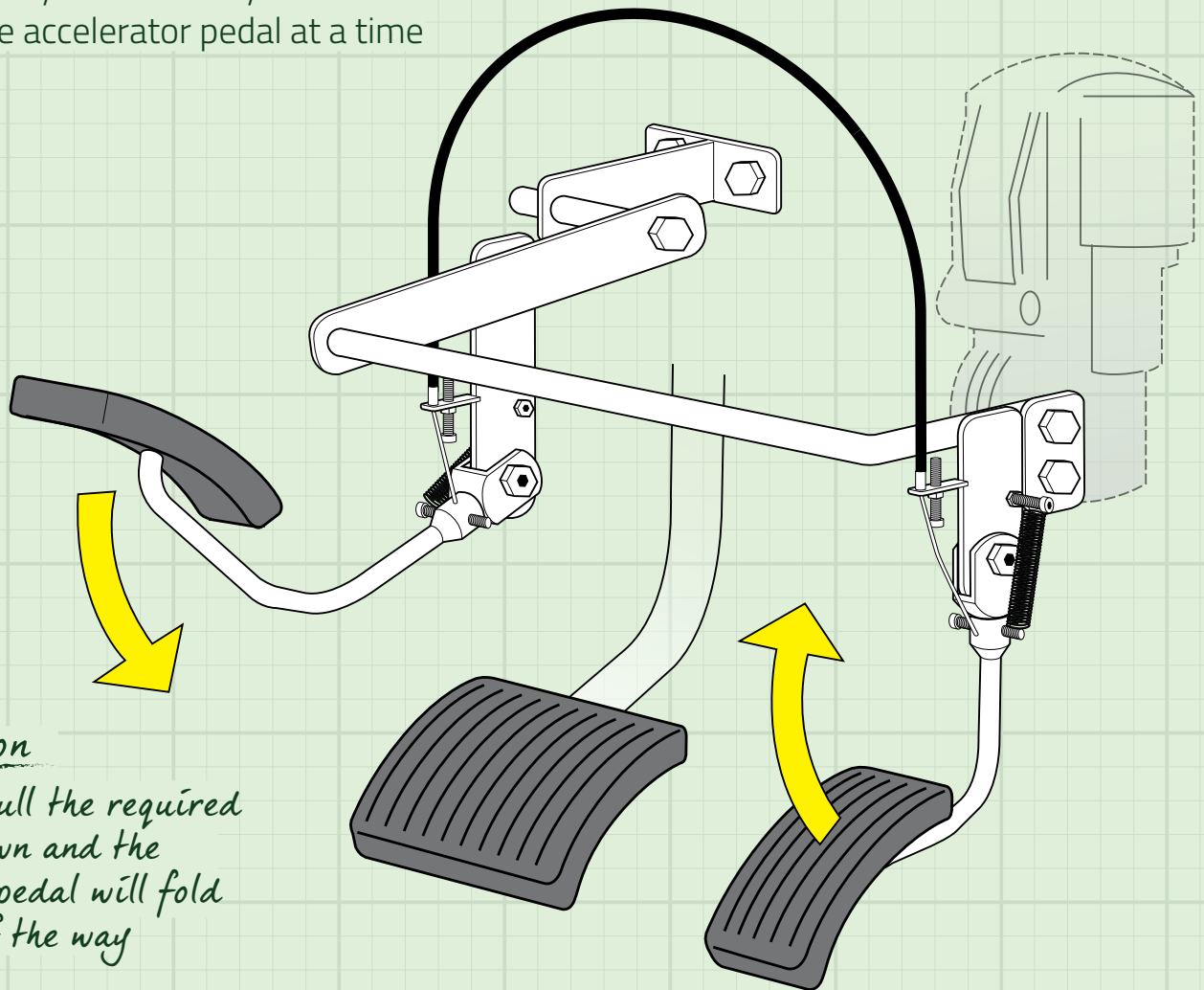
Driving Excellence

**Jeff Gosling**  
Hand Controls Ltd.

Designed for drivers who are unable to operate the accelerator pedal with their right foot, this adaptation allows a driver to operate an accelerator pedal on the left of the brake pedal with their left foot.

## Simple & Safe Operation

- Mechanically replicates the standard right hand side accelerator pedal with an additional pedal to the left hand side of the brake pedal
- Allows a vehicle to be converted easily to drive with either the left or right foot
- Mimics the original pedal with full range of acceleration and no loss of 'Kick Down'
- The safety function only allows for use of one accelerator pedal at a time



### Operation

*Simply pull the required pedal down and the opposite pedal will fold up out of the way*

N.B. Only suitable for vehicles with a conventional accelerator pedal